



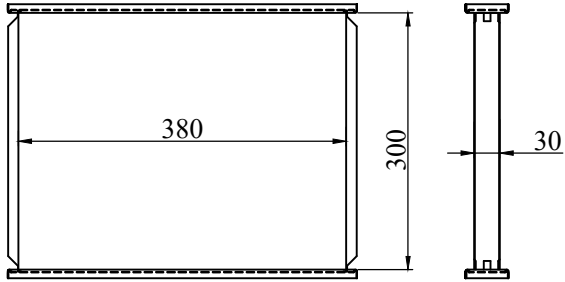
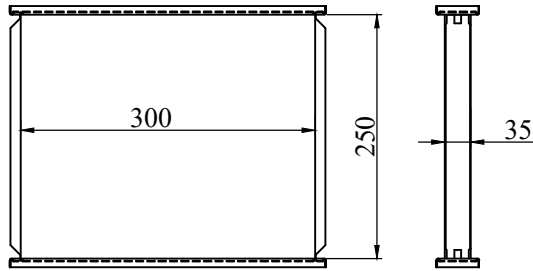
DOLPHIN RADIATORS

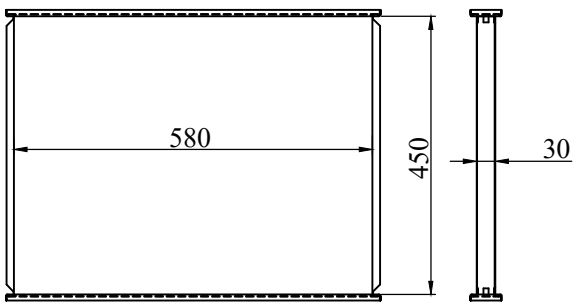
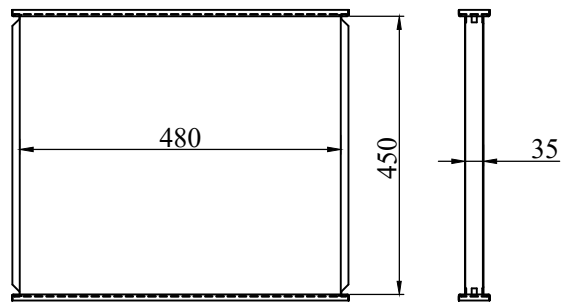
CATALOGUE 2024

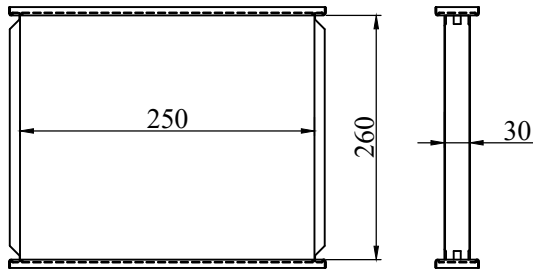
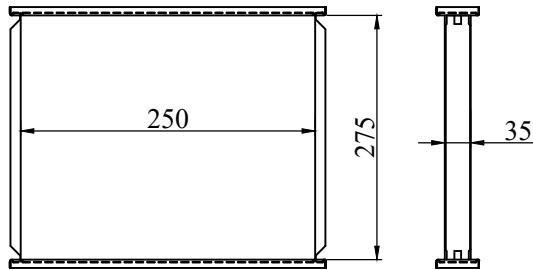


#dolphinsadvantage

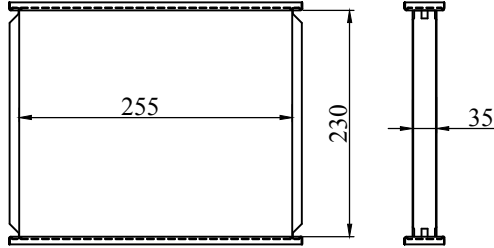
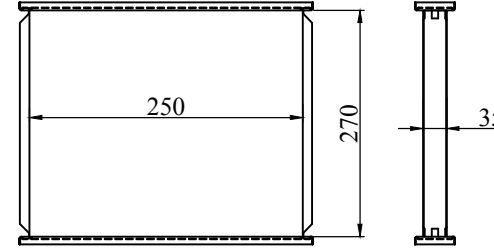
CORE

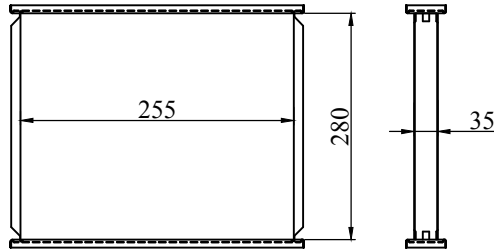
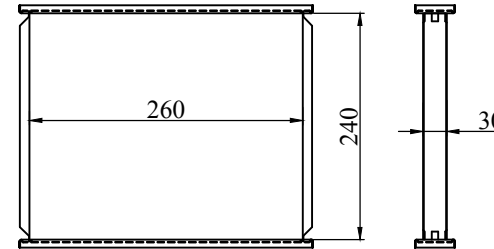
2002		2144	
MODEL		MODEL	
Radiator Core for Vehicle		Radiator Core for Vehicle	
			
OEM	CORE SIZE	OEM	CORE SIZE
	300 X 380 X 30		250 X 300 X 35

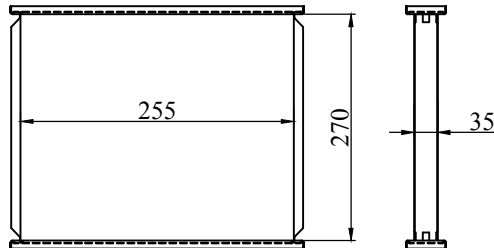
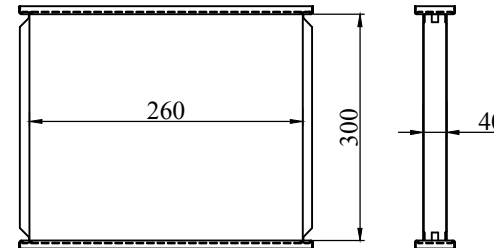
2071		2077	
MODEL		MODEL	
Radiator Core for Vehicle		Radiator Core for Vehicle	
			
OEM	CORE SIZE	OEM	CORE SIZE
	450 X 580 X 30		450 X 480 X 35

2131		2154	
MODEL		MODEL	
Radiator Core for Vehicle		Radiator Core for Vehicle	
			
OEM	CORE SIZE	OEM	CORE SIZE
	260 X 250 X 30		275 X 250 X 35

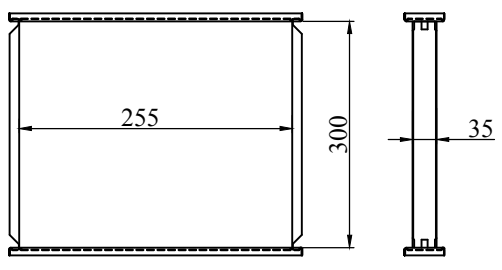
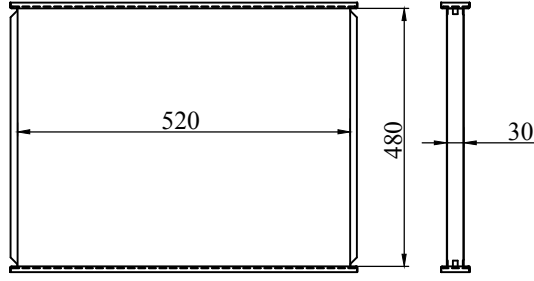
CORE

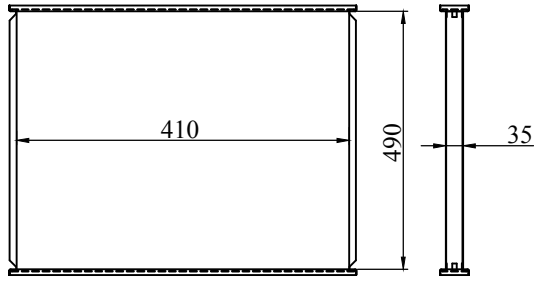
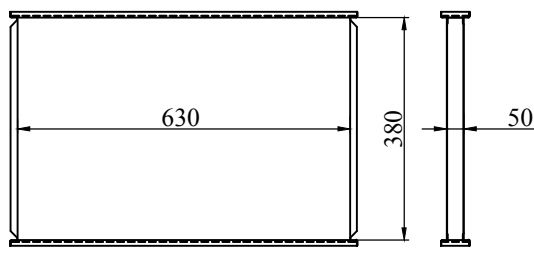
2124		2133	
MODEL		MODEL	
Radiator Core for Vehicle		Radiator Core for Vehicle	
			
OEM	CORE SIZE 230 X 255 X 35	OEM	CORE SIZE 270 X 250 X 35

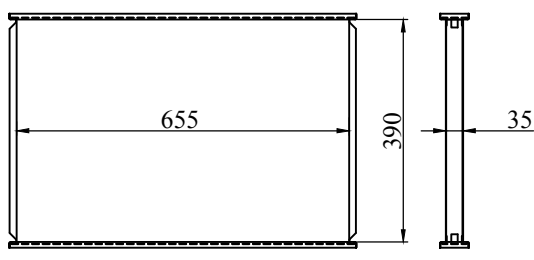
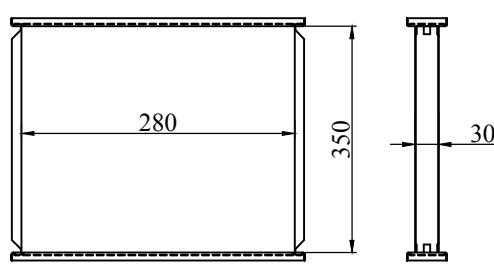
2123		2133	
MODEL		MODEL	
Radiator Core for Vehicle		Radiator Core for Vehicle	
			
OEM	CORE SIZE 280 X 255 X 35	OEM	CORE SIZE 240 X 260 X 30

2127		2140	
MODEL		MODEL	
Radiator Core for Vehicle		Radiator Core for Vehicle	
			
OEM	CORE SIZE 270 X 255 X 35	OEM	CORE SIZE 300 X 260 X 40

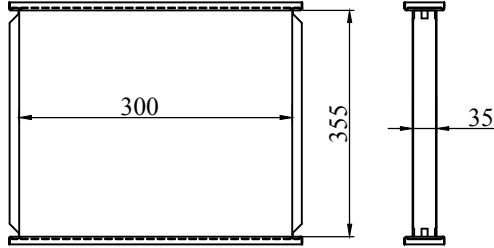
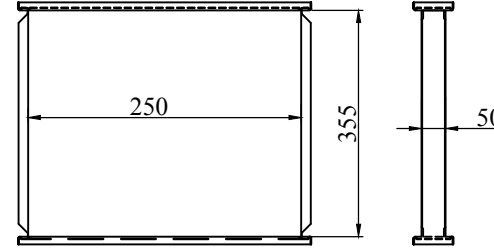
CORE

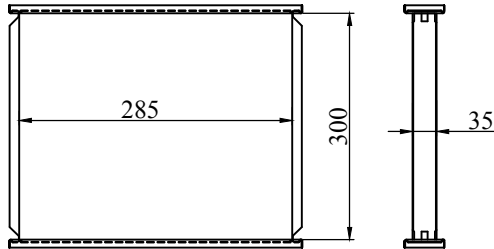
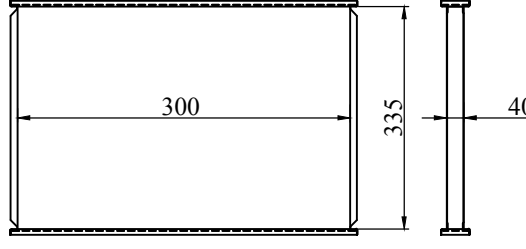
2139		2120	
MODEL		MODEL	
Radiator Core for Vehicle		Radiator Core for Vehicle	
			
OEM	CORE SIZE 300 X 255 X 35	OEM	CORE SIZE 480 X 520 X 30

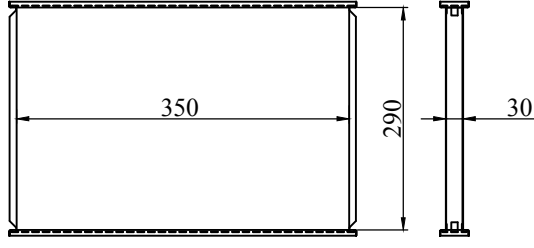
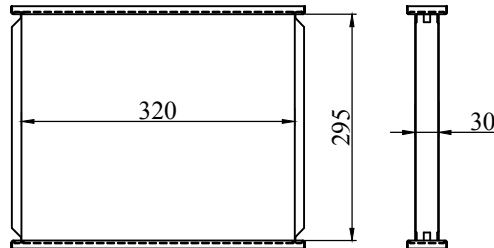
2113		2126	
MODEL		MODEL	
Radiator Core for Vehicle		Radiator Core for Vehicle	
			
OEM	CORE SIZE 490 X 410 X 35	OEM	CORE SIZE 380 X 630 X 50

2177		2328	
MODEL		MODEL	
Radiator Core for Vehicle		Radiator Core for Vehicle	
			
OEM	CORE SIZE 390 X 655 X 35	OEM	CORE SIZE 350 X 280 X 30

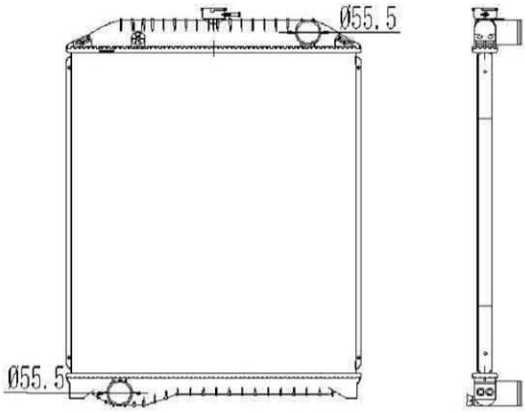
CORE

2136		2142	
MODEL		MODEL	
Radiator Core for Vehicle		Radiator Core for Vehicle	
			
OEM	CORE SIZE 355 X 300 X 35	OEM	CORE SIZE 355 X 250 X 50

83819D		83021D	
MODEL		MODEL	
Radiator Core for Vehicle		Radiator Core for Vehicle	
			
OEM	CORE SIZE 300 X 285 X 35	OEM	CORE SIZE 335 X 300 X 40

12878D		2112	
MODEL		MODEL	
Radiator Core for Vehicle		Radiator Core for Vehicle	
			
OEM	CORE SIZE 290 X 350 X 30	OEM	CORE SIZE 295 X 320 X 30

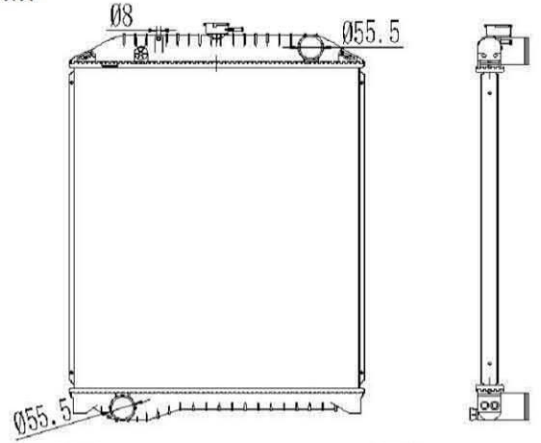
12851F-GF



CARTYPE: ASSY HINO FMIJ KPT
 CORE SIZE: PA720x638x32/36
 OEM: 16090-6070

DPI/NISS:
 CARTON: 905x135x685
 TANK SIZE: 658.5x54.2
 OIL COOLER:

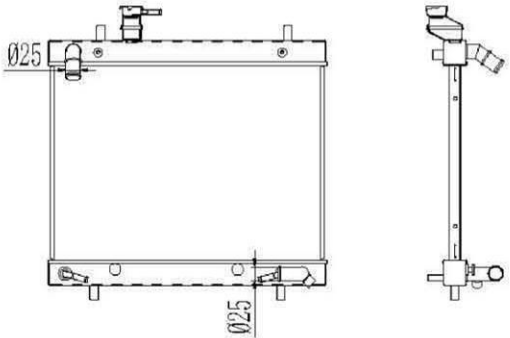
12851FP-BSMT



CARTYPE: ASSY HINO FMIJ KPT
 CORE SIZE: PA720*638*40
 OEM: 242000-5273/S16AO-E0272

DPI/NISS:
 CARTON:
 TANK SIZE: 658.5*54.2
 OIL COOLER:

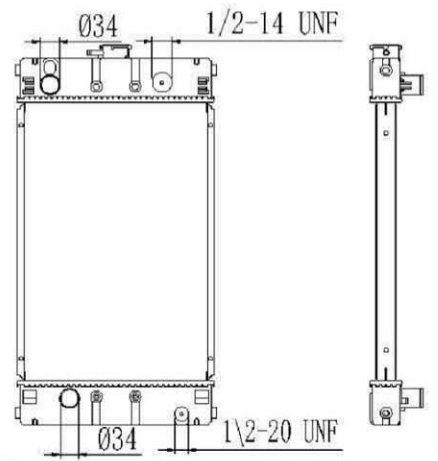
18819F-2F



CARTYPE: ASSY EVERY 22AT
 CORE SIZE: PP350*478*22
 OEM: 17700-68H10

DPI/NISS:
 CARTON: 550*155*520
 TANK SIZE: 500*30.5
 OIL COOLER: 390

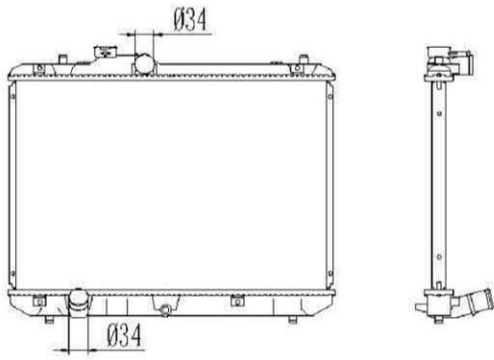
83821F-BSMT



CARTYPE: ASSY PERKIN HP TPN
 CORE SIZE: PA 500 x 328 x 36
 OEM: MN422000-343109

DPI/NISS:
 CARTON: 695x105x385
 TANK SIZE: 351x54
 OIL COOLER:

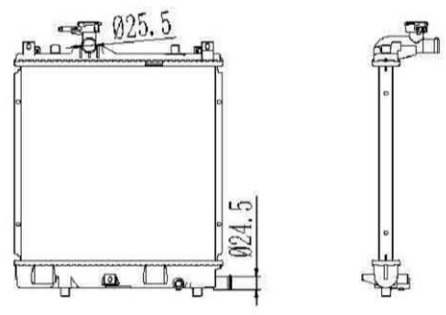
18802F-2F



CARTYPE: ASSY SWIFT 26MT
 CORE SIZE: PA375 x 558 x 26
 OEM: 17700-63J00

DPI/NISS:
 CARTON: 595*150*515
 TANK SIZE: 582.5*47.5
 OIL COOLER:

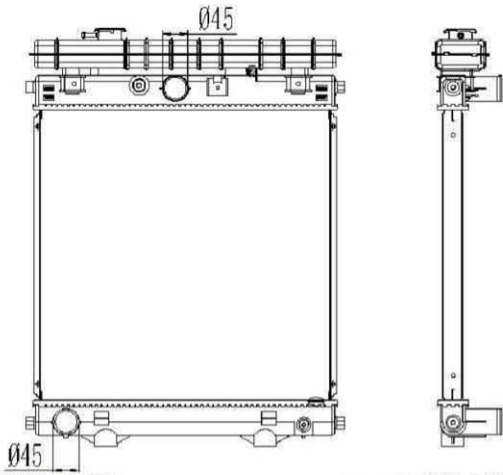
18816F-1F



CARTYPE: ASSY SUZUKI 660CC 22MT
 CORE SIZE: PA 350 x 348 x 26
 OEM:

DPI/NISS:
 CARTON:
 TANK SIZE: 371*48
 OIL COOLER:

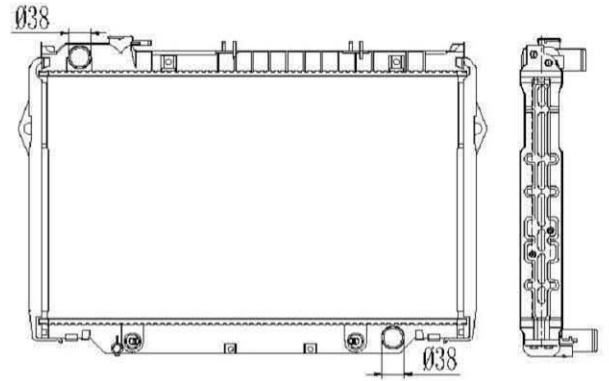
83819F-GF



CARTYPE: ASSY PERKIN 36MT (DJ)
 CORE SIZE: PA 520 x 518 x36
 OEM:

DPI/NISS: PC500041/500093/500213
 CARTON: 760x135x595
 TANK SIZE: 544x53
 OIL COOLER:

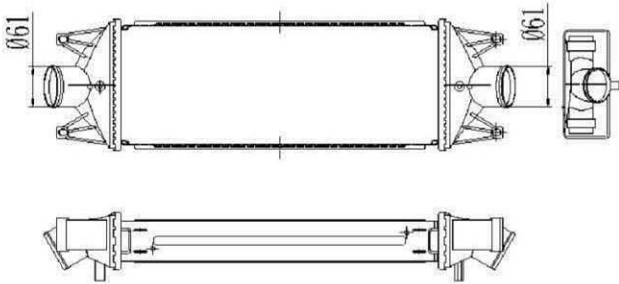
12723F-BF



CARTYPE: ASSY INDUS 32AT
 CORE SIZE: PA 425 x 718 x 32
 OEM: 16400-17030/16400-17060

DPI/NISS:
 CARTON: 825x140x575
 TANK SIZE: 744x70
 OIL COOLER: 390

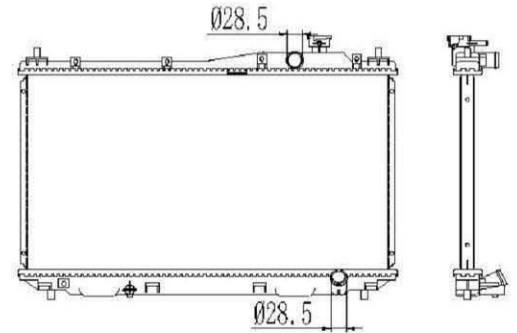
870151F-BSMT



CARTYPE: ASSY PERKIN
 CORE SIZE: PE475x176x62
 OEM: 504022617/504084140/504086501/99487925

DPI/NISS: 96727
 CARTON:
 TANK SIZE: 194.2x82.6
 OIL COOLER:

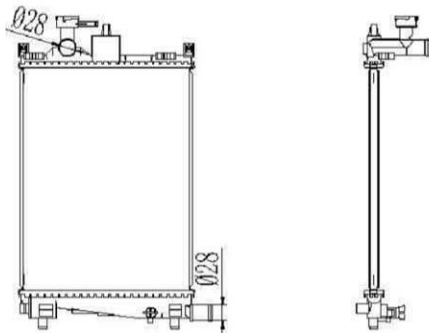
17800F-GF



CARTYPE: ASSY PLATZ
 CORE SIZE: PA 350x648x26
 OEM: 19010-PMM-A01/51/52

DPI/NISS:
 CARTON: 695x140x485
 TANK SIZE: 679x48
 OIL COOLER:

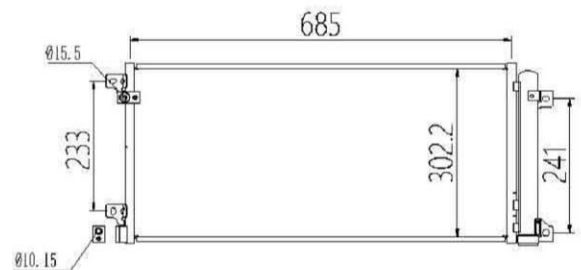
18824F-1F



CARTYPE: ASSY ALTO 660CC PAK NEW MODEL 16MT (5MM)
 CORE SIZE: PA400*297.5*16
 OEM:

DPI/NISS:
 CARTON: 570*370*145
 TANK SIZE: 310*31.2
 OIL COOLER:

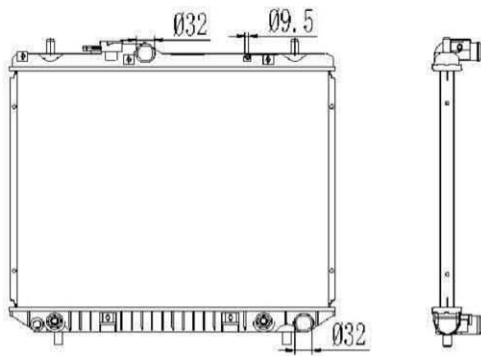
17804AC-2F



CARTYPE: CIVIC 16思域FC1/FC3 1.5T/FC7 1.0T 16-
 CORE SIZE: AC685*302*12
 OEM: 80100-TET-H01

DPI/NISS:
 CARTON: 860*90*390
 TANK SIZE:
 OIL COOLER:

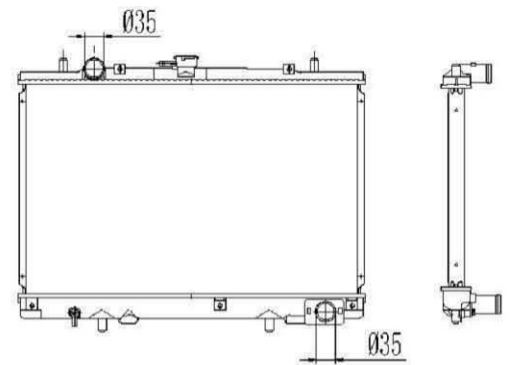
11709F-BF



CARTYPE: ASSY TERIOS KID 26AT
 CORE SIZE: PA 425 x 558 x 26
 OEM: 1640087402/1640087402000/1640087418

DPI/NISS: 61741A
 CARTON: 595x100x570
 TANK SIZE: 582.5x50
 OIL COOLER: 375

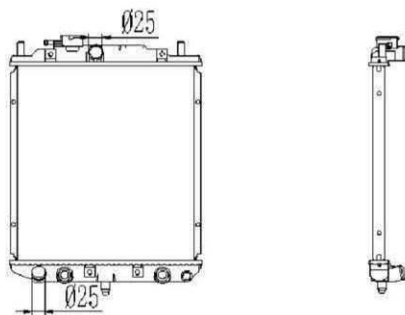
14777F-BF



CARTYPE: ASSY DATSUN PICKUP
 CORE SIZE: PA 375 x 598 x 32/36
 OEM: MR481785

DPI/NISS:
 CARTON: 660*127*540
 TANK SIZE: 620*57
 OIL COOLER:

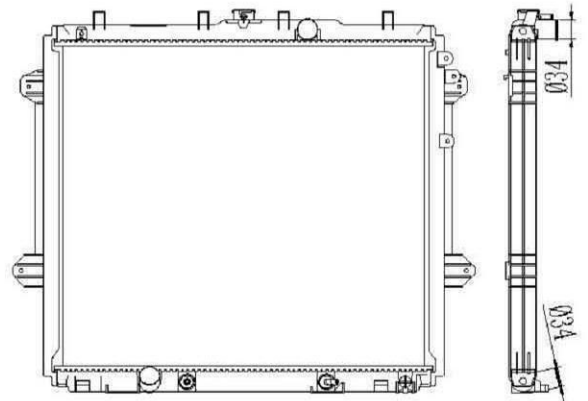
11701F-1F



CARTYPE: ASSY CUORE 26AT
 CORE SIZE: PA 350 x 318 x 22/26
 OEM: 16400-87256/87270/87291/87294-000

DPI/NISS:
 CARTON: 475x90x370
 TANK SIZE: 342.5x47.5
 OIL COOLER: 175

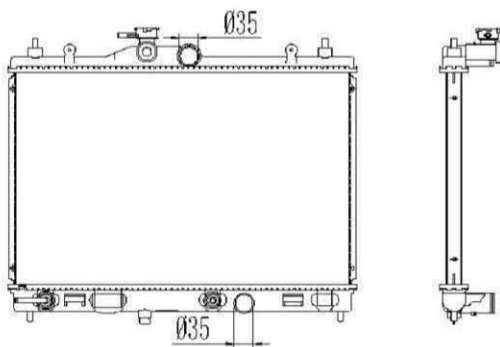
12701F-BSMT



CARTYPE: ASSY GLORY
 CORE SIZE: PA575x648x32
 OEM: 16400-31710

DPI/NISS:
 CARTON: 820x125x715
 TANK SIZE: 678.8x48.3
 OIL COOLER: 250

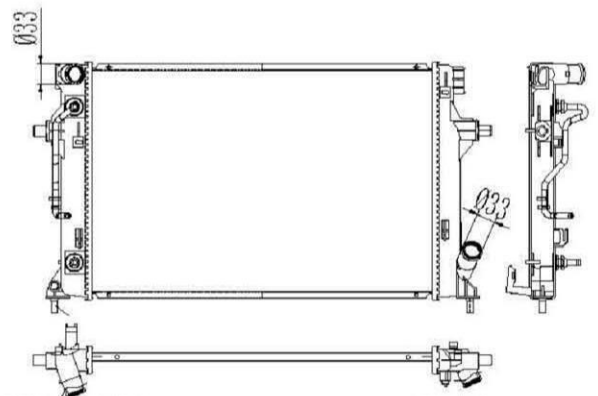
15786F-2F



CARTYPE: ASSY NISSAN MARCH 22AT
 CORE SIZE: PA380*598*22
 OEM: 21460-ED100/EL000

DPI/NISS:
 CARTON: 630*120*550
 TANK SIZE: 621*48
 OIL COOLER: 300

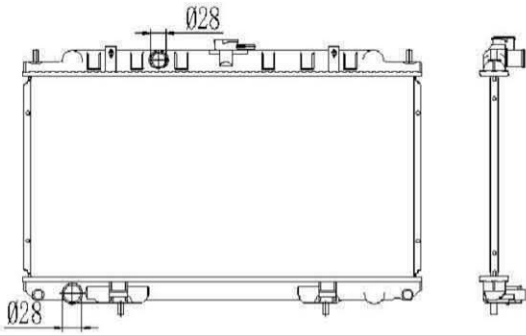
23830F-GF



CARTYPE: ASSY ELANTRA 16AT
 CORE SIZE: PA 610*397*16
 OEM: 25310-F2100

DPI/NISS:
 CARTON:
 TANK SIZE: 423*46.5
 OIL COOLER: 280

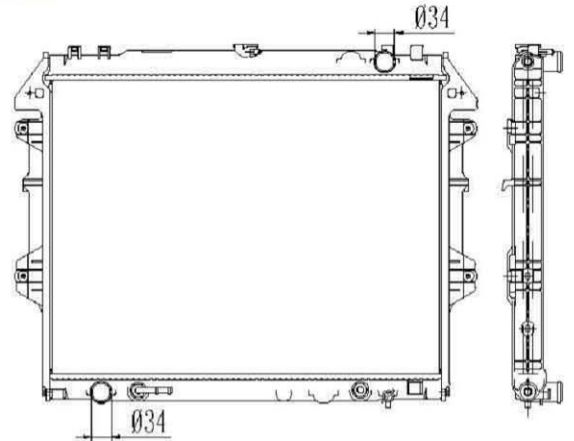
15791F-2F



CARTYPE: ASSY SUNNY 87
 CORE SIZE: PA 360 x 688 x 16/22
 OEM: 21410-4M400/4M407

DPI/NISS:
 CARTON: 725x110x510
 TANK SIZE: 713x47.5
 OIL COOLER:

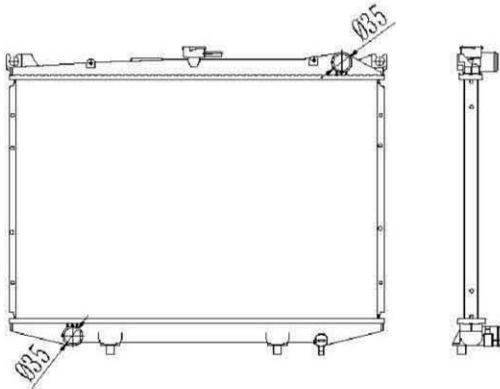
12287F-BSMT



CARTYPE: ASSY FORTUNER AT
 CORE SIZE: PA 500 x 648 x 16
 OEM: 16400-0C140/16400-0C210

DPI/NISS:
 CARTON: 795x105x635
 TANK SIZE: 679x48
 OIL COOLER: 375

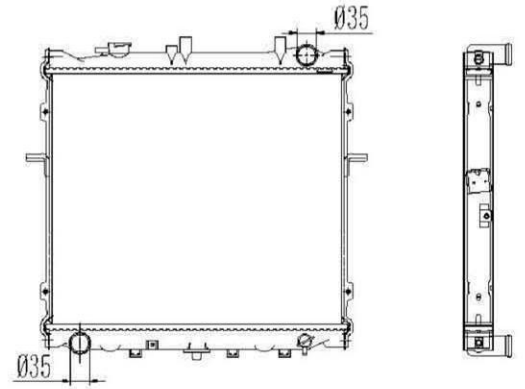
15784F-BSMT



CARTYPE: ASSY DATSUN PICKUP
 CORE SIZE: PA 430 x 648 x 26
 OEM:

DPI/NISS:
 CARTON: 695x100x570
 TANK SIZE: 670x47
 OIL COOLER:

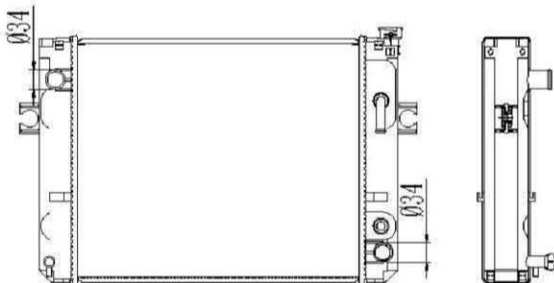
23825F-BSMT



CARTYPE: ASSY KIA SPORTAGE 26MT
 CORE SIZE: PA 450x508x26
 OEM: OK012-15-200A

DPI/NISS:
 CARTON: 625x100x585
 TANK SIZE: 538x46.5
 OIL COOLER:

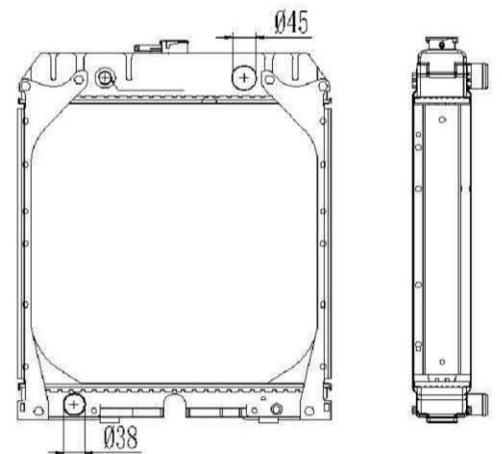
12750F-BSMT



CARTYPE: ASSY LIFTER 48AT
 CORE SIZE: PA500x418x48
 OEM: 16410-22180

DPI/NISS:
 CARTON: 725x110x510
 TANK SIZE: 444.8x85
 OIL COOLER: 225

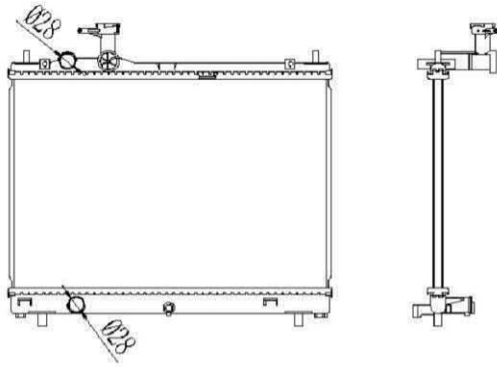
83823F-GF



CARTYPE: ASSY PERKIN PHASER MT
 CORE SIZE: PC 500x528x49
 OEM: 81061016423/6438/6407

DPI/NISS:
 CARTON: 695x155x570
 TANK SIZE: 556.2x95.7
 OIL COOLER:

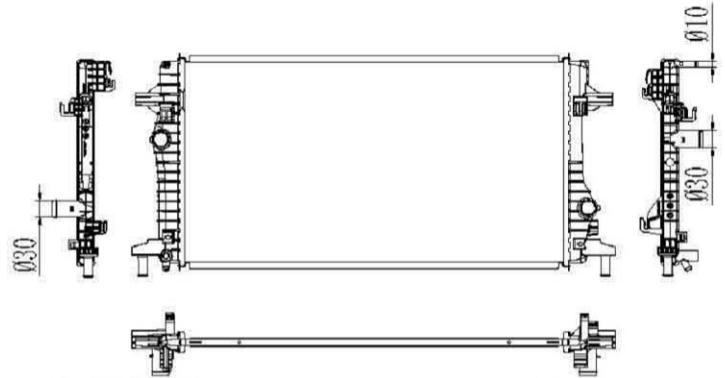
18829F-2F



CARTYPE: ASSY SWIFT 2019 16MT (5MM)
 CORE SIZE: PA375*553*16
 OEM: 17700-52R00

DPI/NISS: 606700
 CARTON: 595*165*570
 TANK SIZE: 577.5*34.5
 OIL COOLER:

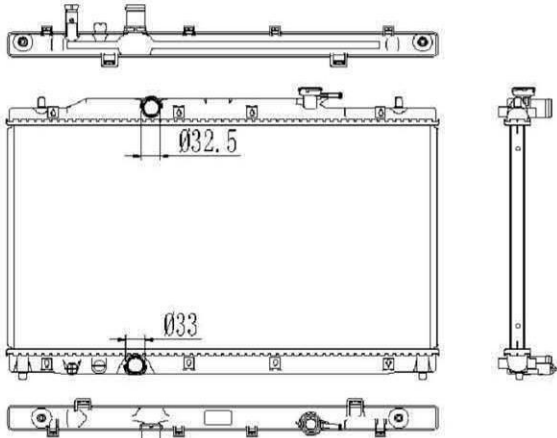
80008F-2F



CARTYPE: ASSY MG HS
 CORE SIZE: PA680x358x16
 OEM: 10122633

DPI/NISS:
 CARTON: 885x130x420
 TANK SIZE: 370x32
 OIL COOLER:

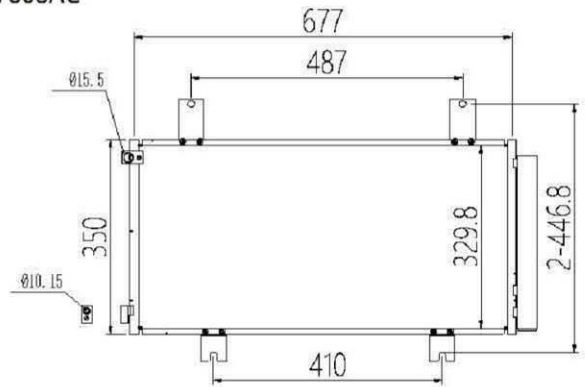
17808-2F



CARTYPE: ASSY CIVIC 2022 1.5T
 CORE SIZE: PA402*747*26
 OEM: 1901064AA01

DPI/NISS:
 CARTON: 790*125*555
 TANK SIZE: 771.8*43.8
 OIL COOLER:

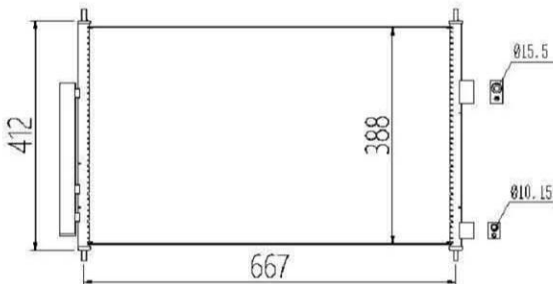
17808AC



CARTYPE: ASSY XLI 06 AT
 CORE SIZE: AC677*329.8*12
 OEM:

DPI/NISS:
 CARTON: 820*70*540
 TANK SIZE:
 OIL COOLER:

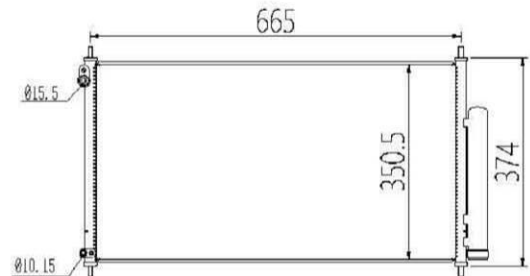
17805AC



CARTYPE: HONDA BR-V 1.5L
 CORE SIZE: AC667*388*16
 OEM:

DPI/NISS:
 CARTON: 810*50*510
 TANK SIZE:
 OIL COOLER:

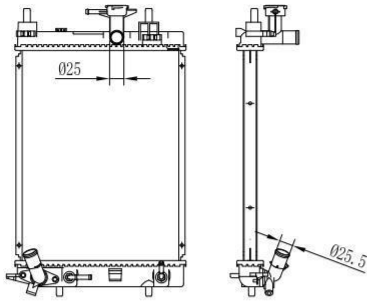
17797AC



CARTYPE: CIVIC 12思域FB2 /FB3/13款讴歌ILX 2.0/
 ILX混动 2012-2015
 CORE SIZE: AC665*350.5*16
 OEM: 80110TS 4T01

DPI/NISS: 940340
 CARTON: 790*90*480
 TANK SIZE:
 OIL COOLER:

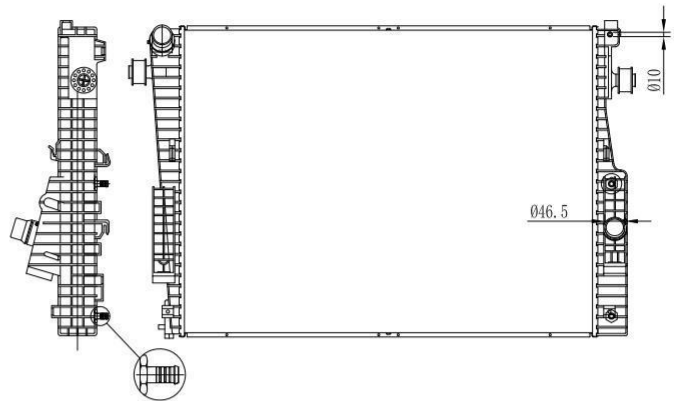
11708F-1F



CARTYPE: ASSY DAHATSU MIRA 26AT
 CORE SIZE: PA 400 x 298 x 26
 OEM: 16400-B2200

NISSENS: 617553
 CARTON:
 TANK SIZE: 322*47
 OIL COOLER: 175

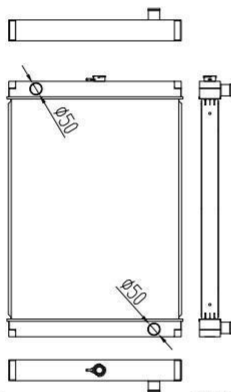
31094-BSMT



CARTYPE: F250'AT
 CORE SIZE: PA 940x688x68
 CORE SIZE:
 OEM:

NISSENS:
 CARTON: 1250*267*780
 TANK SIZE: 711*89
 OIL COOLER: 305

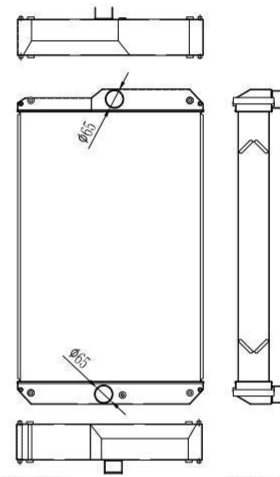
83093-BSMT



CARTYPE: GENERAL GENERATOR
 CORE SIZE: PP880*728*76
 CORE SIZE:
 OEM:

NISSENS:
 CARTON: 1080*790*190
 TANK SIZE: 750*92
 OIL COOLER:

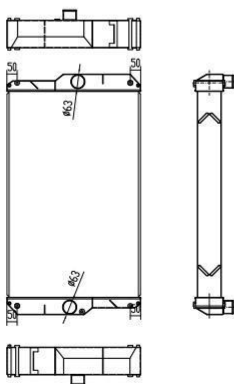
83103-BSMT



CARTYPE: CATERPILLAR GENERATOR
 CORE SIZE: PP1000*668*116
 CORE SIZE:
 OEM:

NISSENS:
 CARTON: 1230*250*765
 TANK SIZE: 690*135
 OIL COOLER:

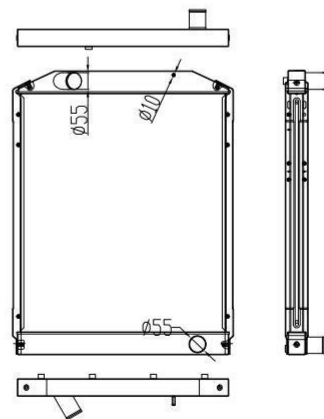
83122-BSMT



CARTYPE: CATERPILLAR GENERATOR
 CORE SIZE: PA1000*628*116
 CORE SIZE:
 OEM:

NISSENS:
 CARTON: 1230*725*250
 TANK SIZE: 653*135
 OIL COOLER:

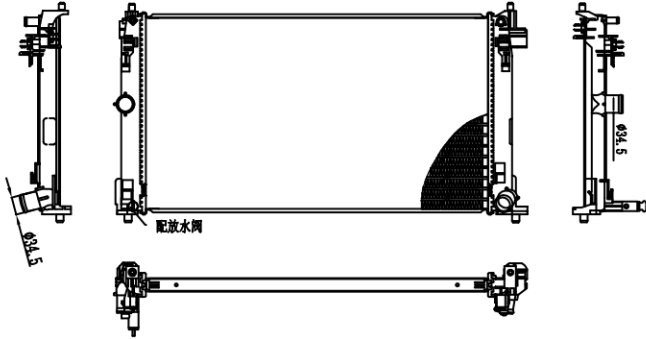
121151-BSMT



CARTYPE: HINO 500
 CORE SIZE: PP 800*688*40
 OEM:

NISSENS:
 CARTON: 1015*207*795
 TANK SIZE: 707*59
 OIL COOLER:

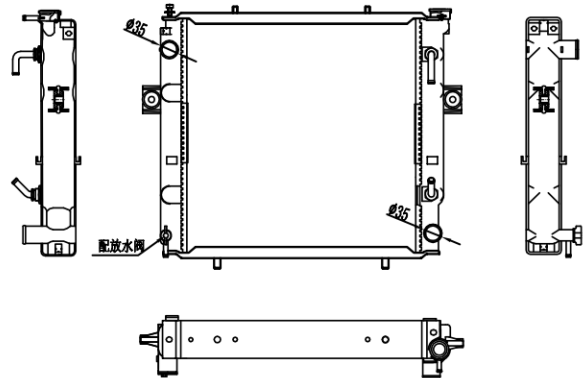
121187



CARTYPE: 卡罗拉1.2T
 CORE SIZE: PA675*375.5*26
 OEM: 16400-47130

CARTON: 825*160*455
 TANK SIZE: 388*44
 OIL COOLER:

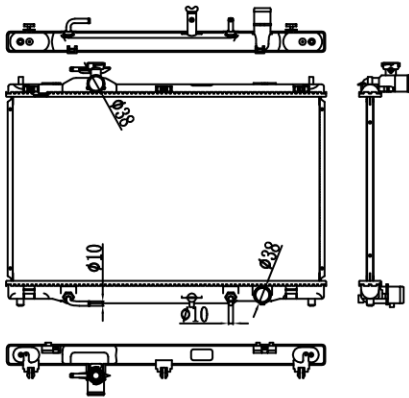
121217



CARTYPE: Forklift (USA)
 CORE SIZE: PA450*458*48
 OEM:

CARTON: 640*150*510
 TANK SIZE: 465*68.8
 OIL COOLER: 275

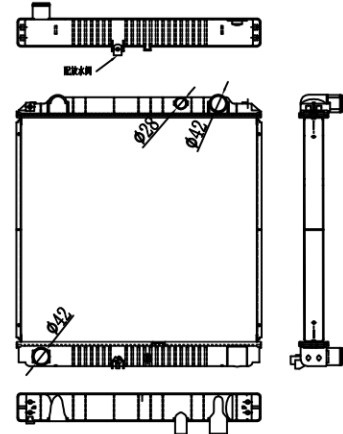
121077



CARTYPE: Toyota CROWN*06 UZS
 CORE SIZE: PA425*708*16
 OEM: 1640050320

NISSENS:
 CARTON: 750*130*585
 TANK SIZE: 735.8*47.8
 OIL COOLER: 375

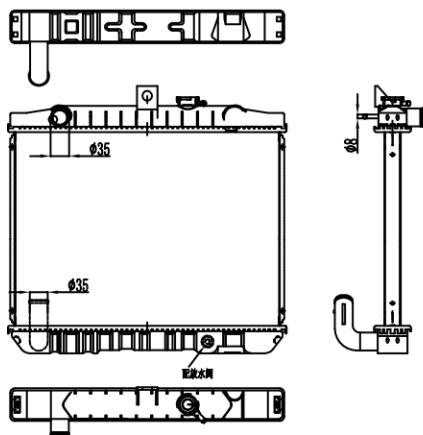
121084



CARTYPE: TOYOTA DYNA COASTER 93-97
 CORE SIZE: PA550*578*48
 OEM:

NISSENS:
 CARTON: 690*150*620
 TANK SIZE: 598*70
 OIL COOLER:

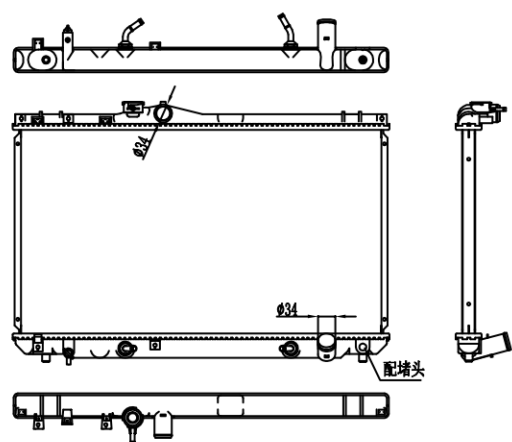
121225



CARTYPE: HIACE 2.4D 2L MT
 CORE SIZE: PA380*518*32
 OEM:

CARTON: 565*190*550
 TANK SIZE: 544*69
 OIL COOLER:

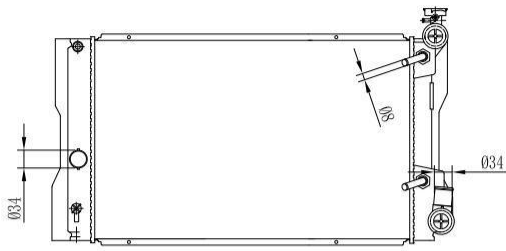
121224



CARTYPE: CRESSIDA/MARK 2/CRESTA/CHASER
 CORE SIZE: PA400*708*26
 OEM:

CARTON: 740*110*515
 TANK SIZE: 736.3*48/736*47.5
 OIL COOLER: 325

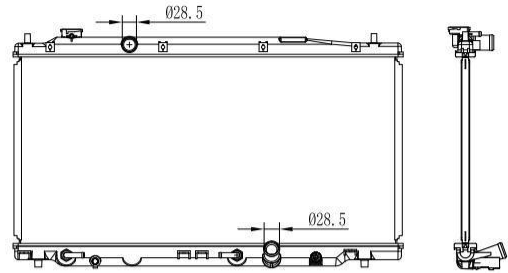
12836F-GF



CARTYPE: ASSY XLI NEW 16AT (5MM)
 CORE SIZE:
 CORE SIZE: PA600*368*16
 OEM: 16410-22180

NISSENS:
 CARTON:
 TANK SIZE: 400*40/33
 OIL COOLER:250

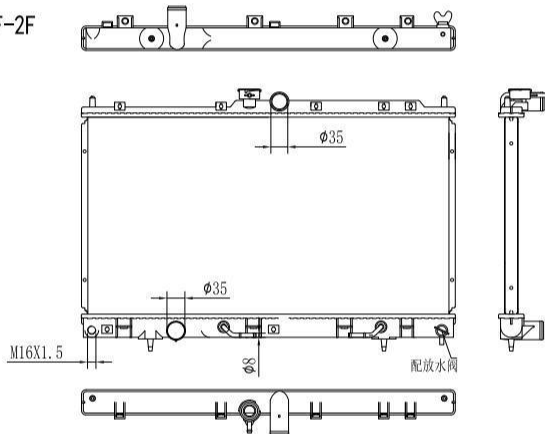
17795F-2F



CARTYPE:ASSY CITY GM 16AT
 CORE SIZE:PA 350*733.5*16
 CORE SIZE:
 OEM: 19010-RB7-Z51

NISSENS:
 CARTON:760*130*480
 TANK SIZE: 743*34.6/39.4
 OIL COOLER:325

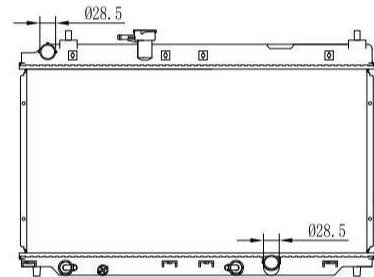
14773F-2F



CARTYPE: ASSY LANCER 16AT
 CORE SIZE: PA 375 x 688 x 16/22/26
 OEM:MR968858/MR993259/MR571798

NISSENS:
 CARTON:725*100*520
 TANK SIZE: 713*47.5
 OIL COOLER:300

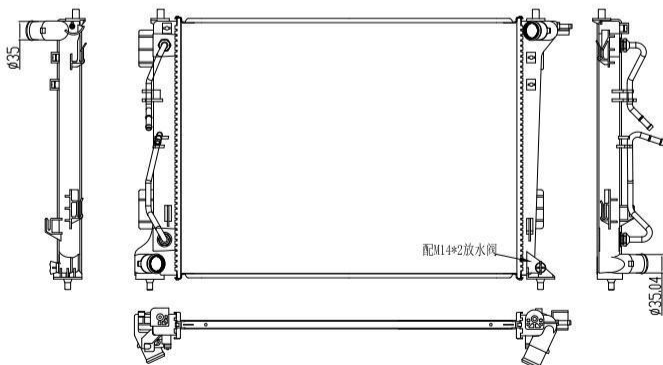
17710F-1F



CARTYPE: ASSY CITY MN 16AT
 CORE SIZE:
 CORE SIZE: PA 350 x 648 x 16
 OEM: 19010-REA-Z01/Z02/Z51/19010REAF01

NISSENS:
 CARTON: 695*125*495
 TANK SIZE: 674*35/40
 OIL COOLER:325

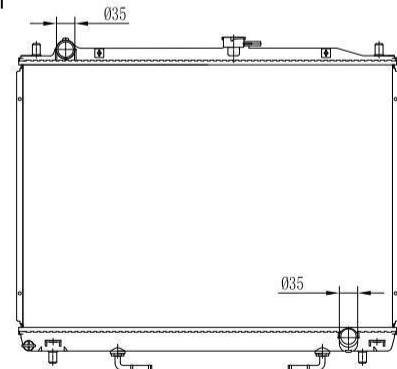
23827F-BSMT



CARTYPE: ASSY SPORTAGE 16AT
 CORE SIZE:
 CORE SIZE: PA 350 x 648 x 16
 OEM: 19010-REA-Z01/Z02/Z51/19010REAF01

NISSENS:
 CARTON: 695*125*495
 TANK SIZE: 674*35/40
 OIL COOLER:325

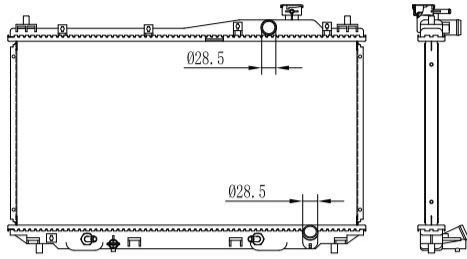
14781F-BSMT



CARTYPE: ASSY PAJERO 2005 AT
 CORE SIZE: PA 500 x 698 x 16/22
 CORE SIZE:
 OEM: MR968286/MR968287

NISSENS:
 CARTON: 735*115*635
 TANK SIZE: 717*40/48.5
 OIL COOLER:390

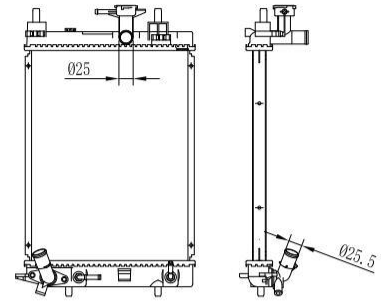
17799F-2F



CARTYPE: ASSY PLATZ
 CORE SIZE: PA 350*648*16/26
 CORE SIZE:
 OEM: 19010-PMM-A51/19010-PLM-A51/A52

NISSENS:
 CARTON: 690*120*485
 TANK SIZE: 679*48
 OIL COOLER: 325

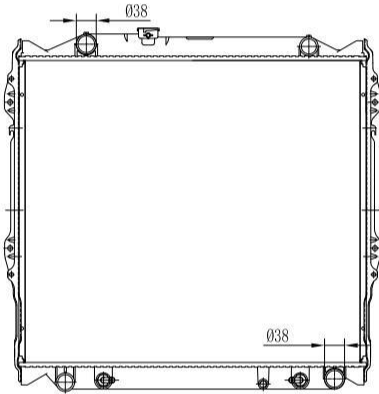
11708F-1F



CARTYPE: ASSY DAHATSU MIRA 26AT
 CORE SIZE: PA 400 x 298 x 26
 OEM: 16400-B2200

NISSENS: 617553
 CARTON:
 TANK SIZE: 322*47
 OIL COOLER: 175

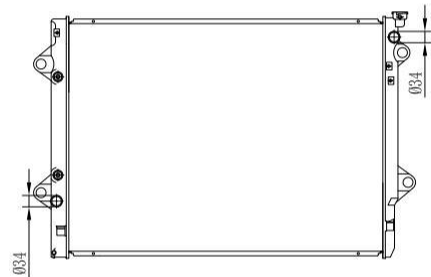
12721F-BSMT



CARTYPE: ASSY PRADO 96 DIESEL 26AT
 CORE SIZE: PA 575 x 638 x 16/26/32
 OEM: 16400-67121/16400-67140/16400-67120

NISSENS: 64637A
 CARTON: 725*105*710
 TANK SIZE: 659.5*48
 OIL COOLER: 375

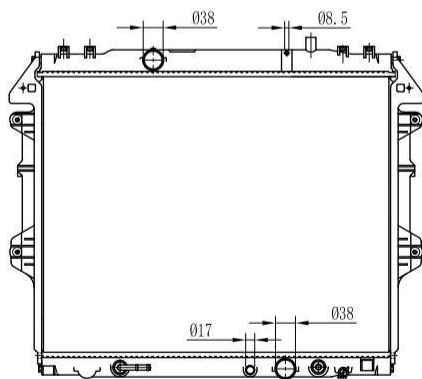
12730F-BSMT



CARTYPE: ASSY PRADO 2005 PETROL 26AT
 CORE SIZE: PA 650 x 598 x 16/26
 OEM: 16400-31350/16400-62230/16400-31351

NISSENS: 64684
 CARTON: 830*120*655
 TANK SIZE: 620*47.5
 OIL COOLER: 250

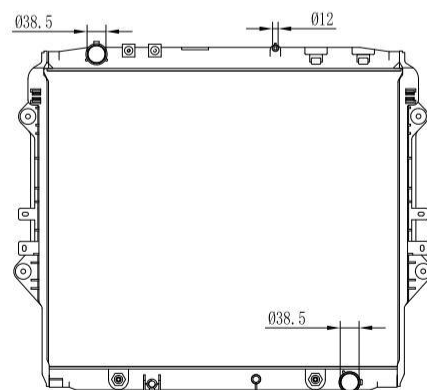
12734F-BSMT



CARTYPE: ASSY VIGO 4KD 26AT (CROSS HOSE PIPE)
 CORE SIZE: PA 525 *648 * 32
 OEM: 16400-0L150

NISSENS:
 CARTON:
 TANK SIZE: 679*48
 OIL COOLER: 375

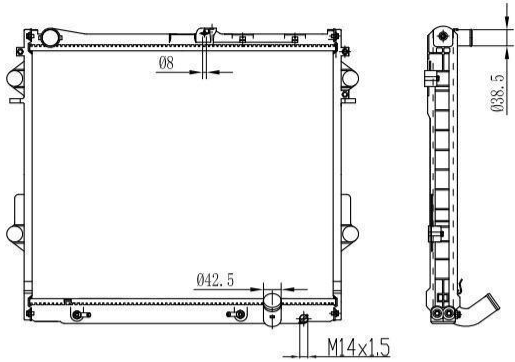
12841F-BSMT



CARTYPE: ASSY REVO 26AT
 CORE SIZE: PA 550*655*26
 OEM: 16400-0L431

NISSENS:
 CARTON:
 TANK SIZE: 674.5*44
 OIL COOLER: 375

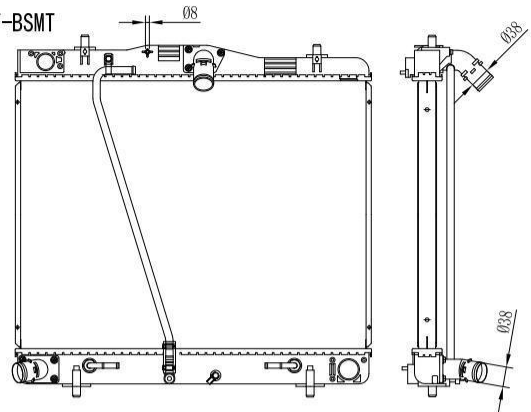
12774F-BSMT



CARTYPE: ASSY LAND CRUISER V8 48AT DIESEL
 CORE SIZE: PA590*718*48
 OEM: 16400-51040

NISSENS:
 CARTON: 845*175*730
 TANK SIZE: 728*69
 OIL COOLER: 390

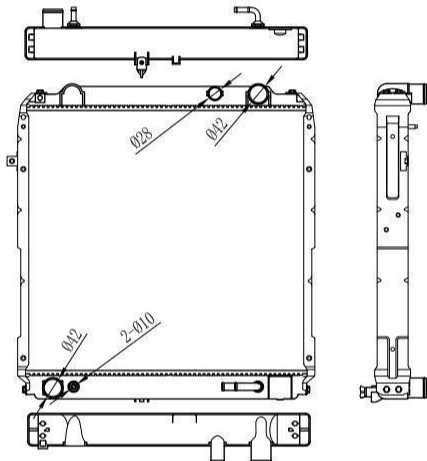
12763F-BSMT



CARTYPE: ASSY HIACE NEW 2TR 36AT (PLASTIC TANK)
 CORE SIZE: PA 510x 658x36
 OEM:

NISSENS:
 CARTON: 700*190*705
 TANK SIZE: 675*53.5
 OIL COOLER: 390

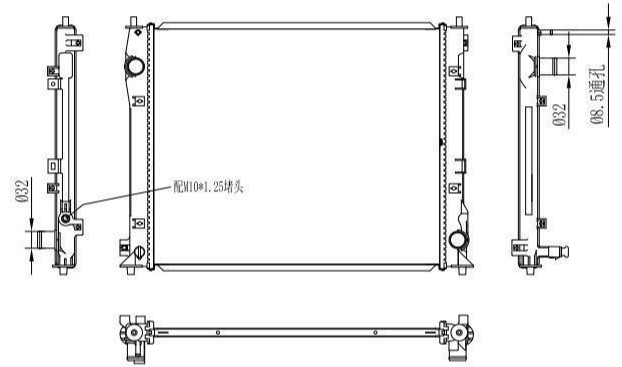
12843F-BSMT



CARTYPE: ASSY COASTER
 CORE SIZE: PA550*578*48
 OEM:

NISSENS:
 CARTON: 655*145*685
 TANK SIZE: 597.5*69.4
 OIL COOLER: 390

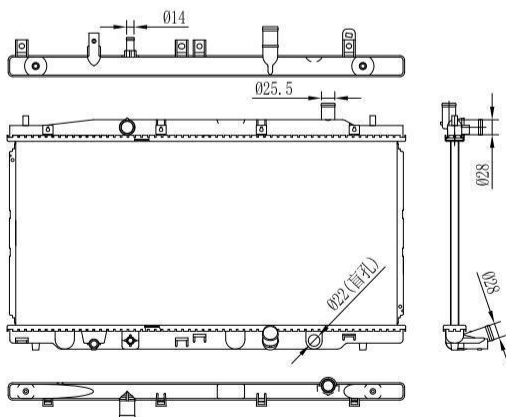
17804F-2F



CARTYPE: PROTON SAGA 26MT 1.3
 CORE SIZE: PA545*448.5*16
 OEM:

CARTON:
 TANK SIZE: 462.3*39.8

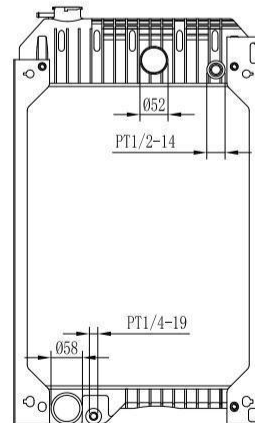
17805F-2F



CARTYPE: ASSY HONDA LIFE 16MT
 CORE SIZE: PA350*726.5*16
 OEM:

NISSENS:
 CARTON: 780*120*495
 TANK SIZE: 756*40/33
 OIL COOLER:

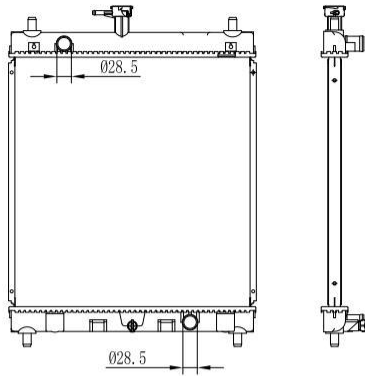
83021F-1F



CARTYPE: For Generator
 CORE SIZE: PA 570x 438x104
 OEM:

NISSENS:
 CARTON: 870*207*535
 TANK SIZE: 460*123
 OIL COOLER:

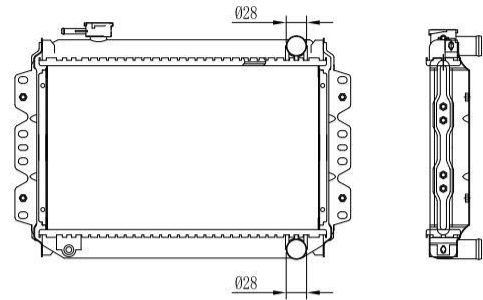
18810F-GF



CARTYPE: ASSY APV 26MT
 CORE SIZE: PA475*448*26
 CORE SIZE:
 OEM:

NISSENS:
 CARTON: 660*95*490
 TANK SIZE: 467.3x47.8
 OIL COOLER:

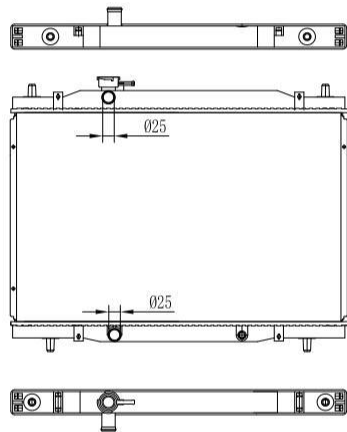
18812F-1F



CARTYPE: ASSY BOLAN
 CORE SIZE: PA240*398*26
 OEM:

NISSENS:
 CARTON: 505*95*365
 TANK SIZE: 418*47
 OIL COOLER:

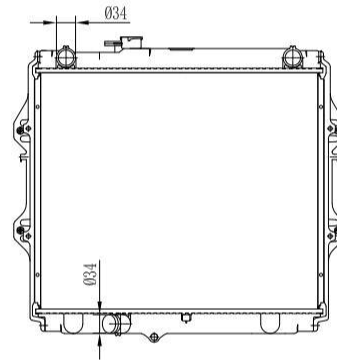
80006F-GF



CARTYPE: ASSY FAW V2 26MT
 CORE SIZE: PA400*618*26
 OEM:

NISSENS:
 CARTON: 640*47.5
 TANK SIZE: 640*47.5
 OIL COOLER:

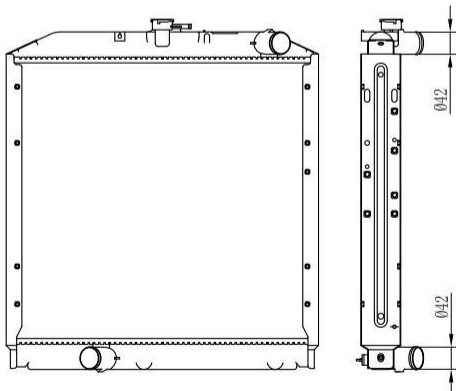
12773F-BSMT



CARTYPE: ASSY TERIOUS 32MT
 CORE SIZE: PA 450 x 528 x 16/36
 OEM: 16400-5B590

NISSENS: 64683A
 CARTON: 640*115*595
 TANK SIZE: 544.5*54.5
 OIL COOLER:

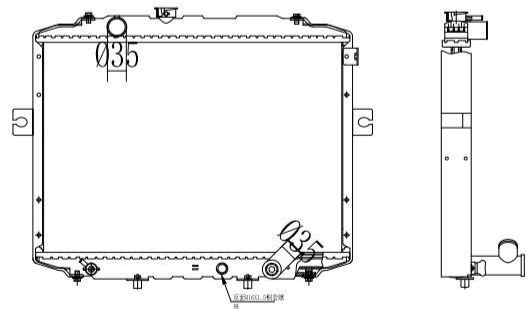
12737F-BSMT



CARTYPE: ASSY HINO DUTRO
 CORE SIZE: PA525 x 558 x 26
 OEM: 16400-78101/16400-78100

NISSENS:
 CARTON: 680*150*615
 TANK SIZE: 582*55
 OIL COOLER:

21832F-BSMT

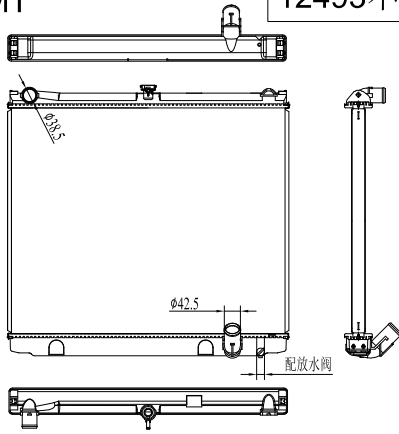


CARTYPE: ASSY SHEHZORE 32MT
 CORE SIZE: PA400*568*26
 CORE SIZE:
 OEM:

NISSENS:
 CARTON: 62.5*21*59.5
 TANK SIZE: 593*53
 OIL COOLER:

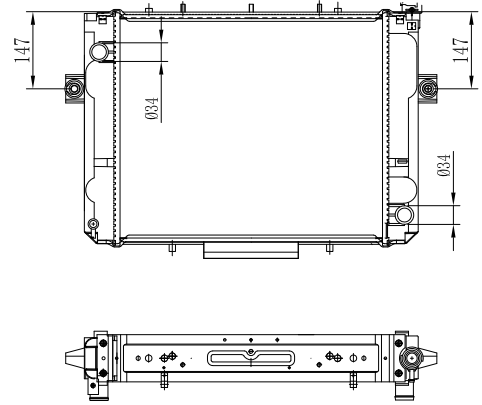
12493F-BSMT

12493不带外侧板



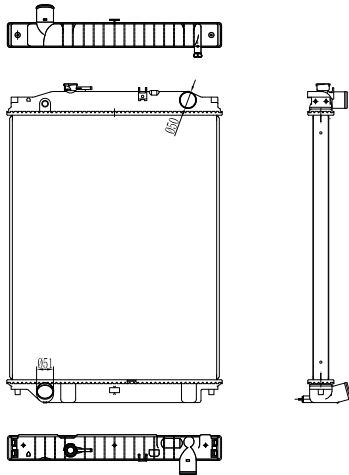
CARTYPE: ASSY LAND CRUISER V8 36MT
 CORE SIZE: PA590*718*36
 OEM: 16400-50380
 CARTON: 755*165*730
 TANK SIZE: 728*69
 OIL COOLER:

12749F-BSMT



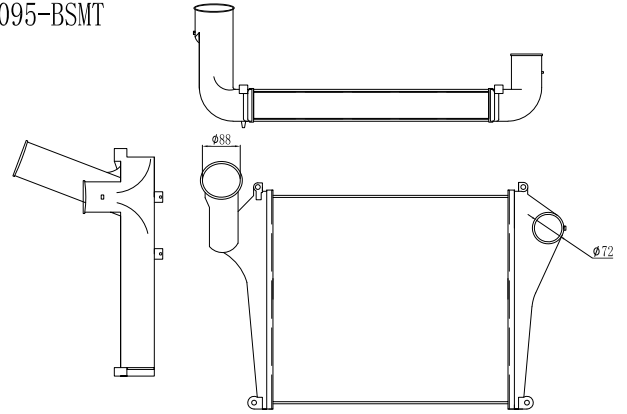
CARTYPE: For Fork Lifter
 CORE SIZE: PA 500*418*48
 CORE SIZE:
 OEM: 3EB-04-31411
 DPI:
 CARTON: 73*15*53.5
 TANK SIZE: 444.6*85
 OIL COOLER:

13301F-BSMT



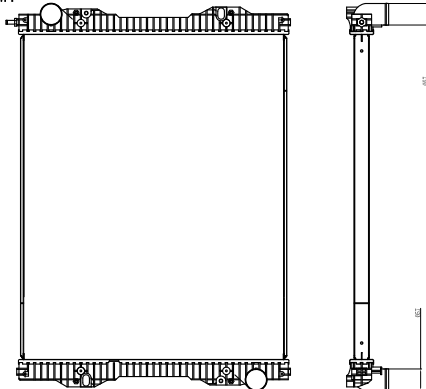
CARTYPE: ASSY ISUZU
 CORE SIZE: PA800*618*48/56
 OEM:
 CARTON: 990*175*680
 TANK SIZE: 647.5*75
 OIL COOLER:

31095-BSMT



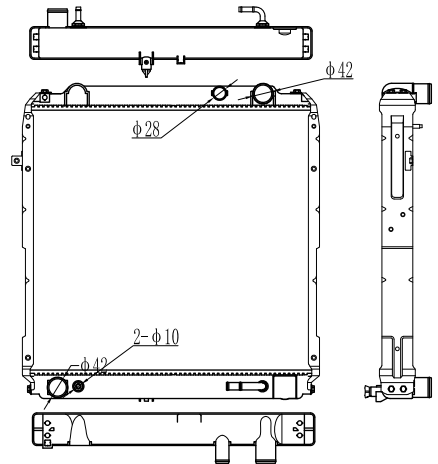
CARTYPE: AFTERCOOLER HINO
 CORE SIZE: PP562*492*62
 OEM:
 CARTON: 850*360*560
 TANK SIZE:
 OIL COOLER:

31095-BSMT



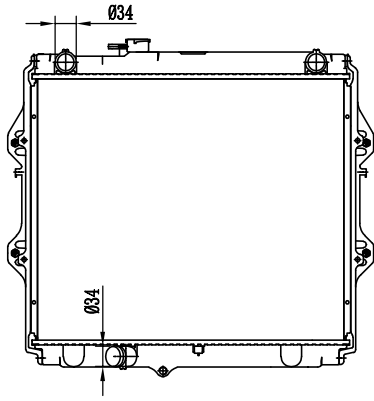
CARTYPE: ISUZU
 CORE SIZE: PA 860 x 688x40A
 CORE SIZE:
 OEM: 1491710/1766125/1784615
 NISSENS: 672590
 CARTON: 1050*137*815
 TANK SIZE: 712.4*59.6

12843F-BSMT



CARTYPE: 'COASTER 3.4D
 CORE SIZE: PA550*578*48
 OEM:
 CARTON: 655*145*685
 TANK SIZE: 597.5*69.4
 OIL COOLER: 390

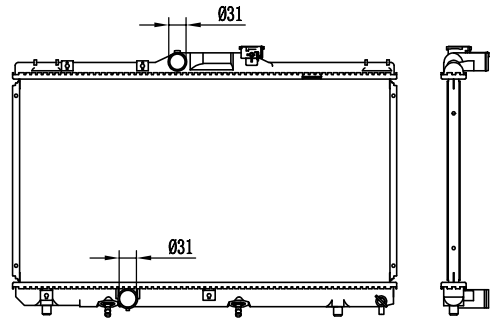
12733F-BSMT



CARTYPE:TIGER OLD 26MT
 CORE SIZE:
 CORE SIZE: PA 450 x 528 x 16/36
 CORE SIZE:
 OEM:16400-5B590

NISSENS: 64683A
 CARTON:640*115*595
 TANK SIZE: 544.5*54.5
 OIL COOLER:

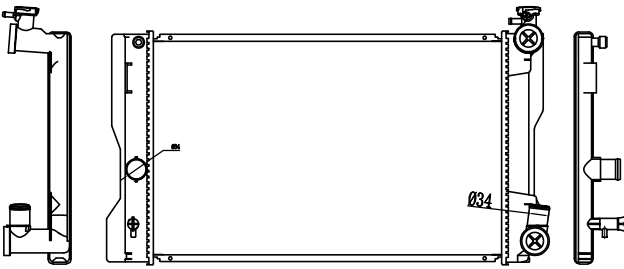
12760F-2F



CARTYPE: INDUS PETROL 22AT
 CORE SIZE:PA 350 * 638 * 26
 CORE SIZE:
 OEM:

NISSENS:
 CARTON: 675*90*500
 TANK SIZE: 658*40
 OIL COOLER:225

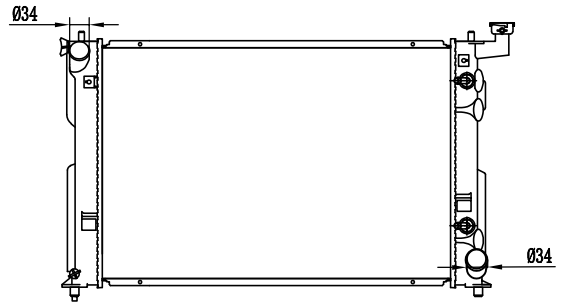
12765F-GF



CAR TYPE:XLI NEW 16MT (8MM) (SLIM
 TANKS)
 CORE SIZE:PA600×368×16
 OEM:16410-22150

DPI/NISS:606663
 CARTON: 780×135×475
 TANK SIZE:400×40/33
 OIL COOLER:

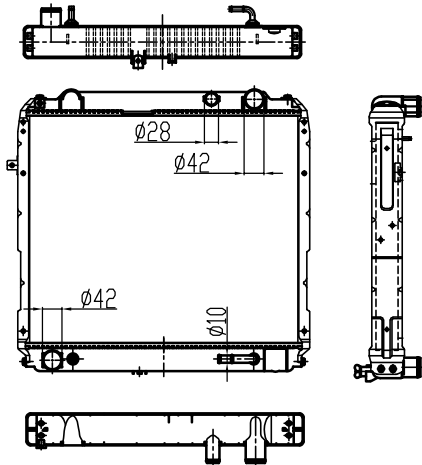
12834F-2F



CARTYPE: WISH 16AT
 CORE SIZE: PA 600 x 398 x 16
 CORE SIZE:
 OEM:16400-28350/16400-22190

NISSENS:
 CARTON: 790*105*495
 TANK SIZE: 428*47.5
 OIL COOLER:250

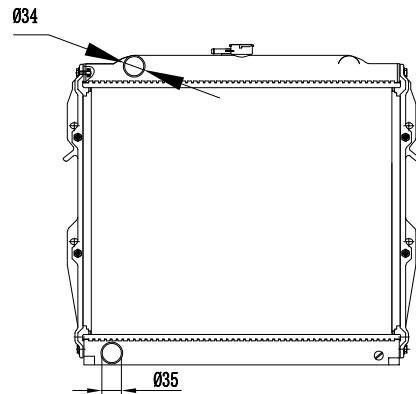
12842F-BSMT



CARTYPE:COASTER 48MT
 CORE SIZE: PA490*578*48
 OEM:

DPI/NISS:
 CARTON: 670*185*635
 TANK SIZE: 597.5*69.4
 OIL COOLER:

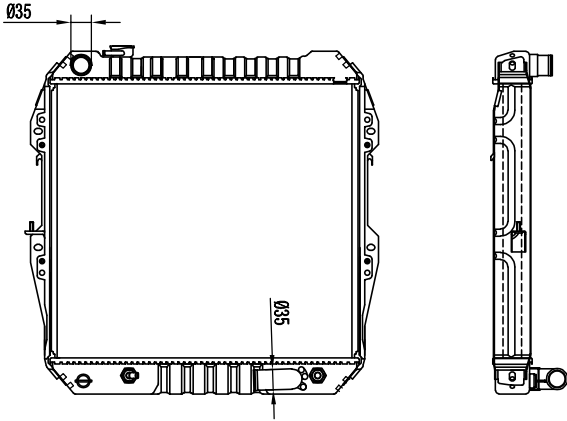
12845F-1F



CARTYPE: DATSUN
 CORE SIZE: PA 400*518*32
 CORE SIZE:
 OEM:

NISSENS:
 CARTON: 610*140*555
 TANK SIZE: 544*54
 OIL COOLER:

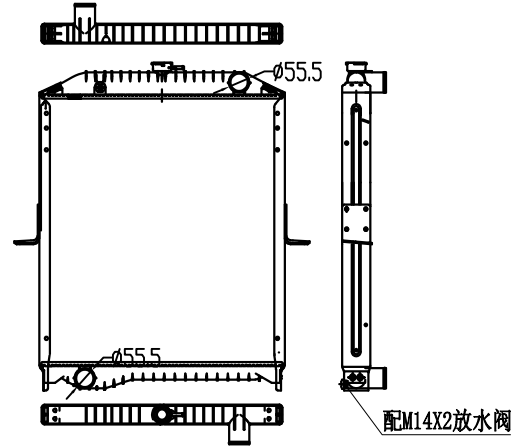
12847F-BSMT



CARTYPE: DATSUN
 CORE SIZE: PA 472 x 508 x 32
 CORE SIZE:
 OEM:

NISSENS:
 CARTON: 610*135*620
 TANK SIZE: 529.7*65
 OIL COOLER: 325

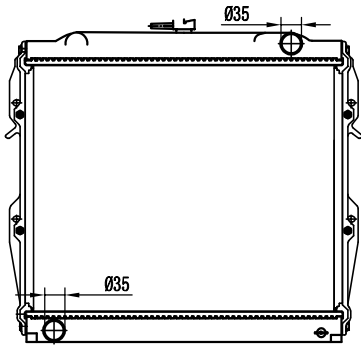
12851BR-GF



CARTYPE: FOR HINO FM1J KPT (BRACKET)
 CORE SIZE: PA 720*638*40
 OEM:

DPI:
 CARTON: 930*165*830
 TANK SIZE: 658.5*54.2
 OIL COOLER:

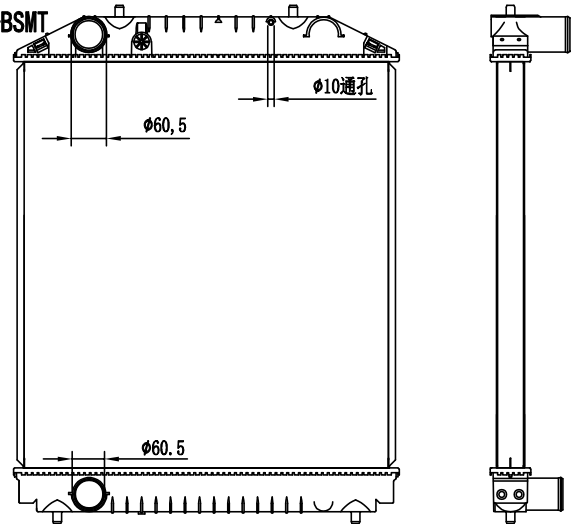
12852F-1F



CARTYPE: DATSUN
 CORE SIZE: PA 400 x 518 x 26/32
 OEM: 16400-35350/71080/81

NISSENS:
 CARTON: 610*140*560
 TANK SIZE: 544.8*54.8
 OIL COOLER:

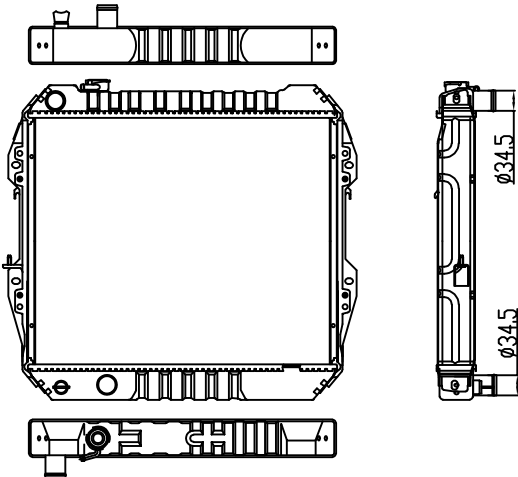
12853F-BSMT



CARTYPE: HINO H07D
 CORE SIZE: PA700*630*48
 OEM:

CARTON: 910*150*685
 TANK SIZE: 661.5*66.5

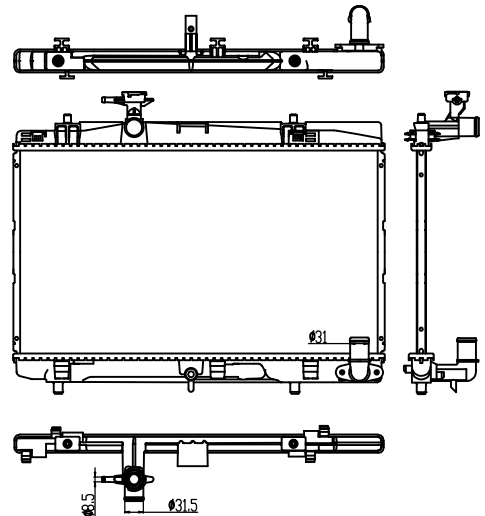
12860F-BSMT



CARTYPE: DATSUN
 CORE SIZE: PA 425*508*48
 OEM:

NISSENS:
 CARTON: 625*115*575
 TANK SIZE: 400*40
 OIL COOLER:

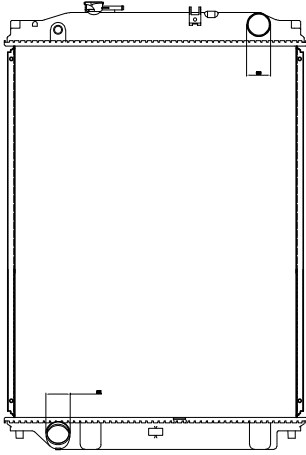
12839F



CARTYPE: YARIS
 CORE SIZE: PA350*616*16
 OEM: 16400-0Y090

CARTON: 660*145*560
 TANK SIZE: 637*31.5/39.8
 OIL COOLER:

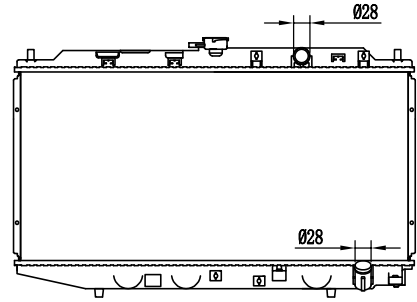
13302F-BSMT



CARTYPE: ISUZU FVZ
CORE SIZE: PA650*618*48
CORE SIZE:
OEM:

NISSENS:
CARTON:825*170*670
TANK SIZE: 647.5*75
OIL COOLER:

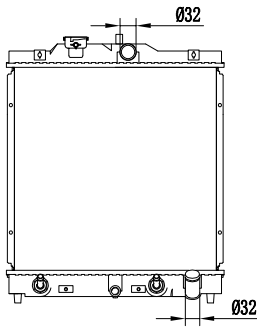
17788F-GF



CARTYPE:CITY IZ 22MT
CORE SIZE:
CORE SIZE: PA 325 x 668 x 16
OEM: 19010-PM4-003

NISSENS:62276
CARTON: 700*105*470
TANK SIZE: 688.5*40/50
OIL COOLER:

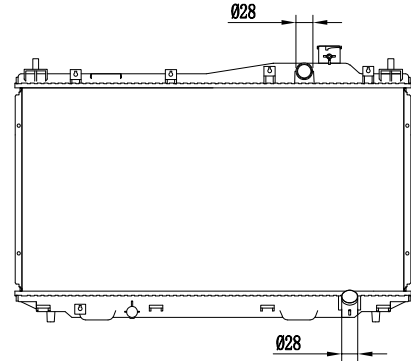
17790F-1F



CARTYPE:CIVIC 95 PK 5 26AT
CORE SIZE:
CORE SIZE: PA 350 x 348 x 26
OEM: 19010-P30-901/G02/3

NISSENS:63340A
CARTON: 475*110*400
TANK SIZE: 372*48
OIL COOLER:200

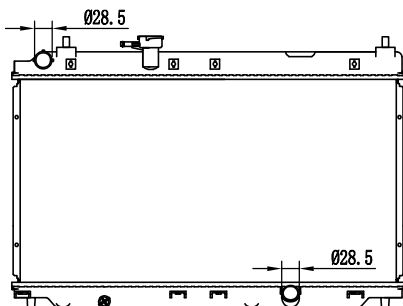
17792F-GF



CARTYPE:CIVIC CF 16MT
CORE SIZE:
CORE SIZE: PA 350 x 648 x 16
OEM: 19010-PMM-A01/51/52 PLC-J01/J51 PLM-A51 PLR-003

NISSENS:
CARTON: 695*130*495
TANK SIZE: 679*33/40
OIL COOLER:

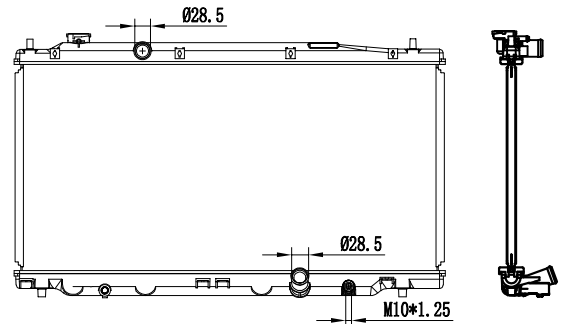
17793F-GF



CARTYPE: CITY MN 16MT
CORE SIZE:
CORE SIZE: PA 350 x 648 x 16
OEM: 19000-REJ-W01

NISSENS:
CARTON:690*110*485
TANK SIZE: 674*35/40
OIL COOLER:

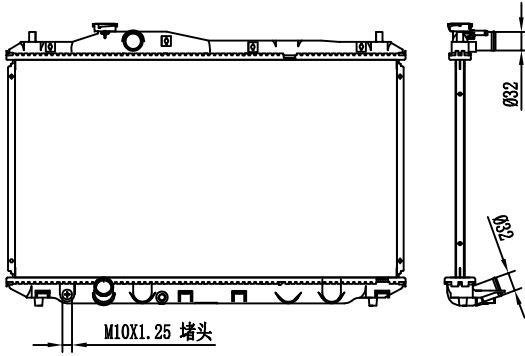
17796F-2F



CARTYPE:CITY GM 16MT (5MM)
CORE SIZE: PA 350*733.5*16
CORE SIZE:
OEM:

NISSENS:
CARTON:760*130*480
TANK SIZE: 743*34.6/39.4
OIL COOLER:

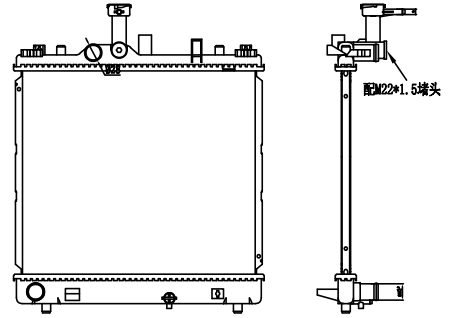
17797A-F-1F



CARTYPE: CIVIC
CORE SIZE: PA 375*658*16
OEM:

NISSENS:
CARTON: 700*115*500
TANK SIZE: 684.6*49.5/34.5
OIL COOLER:

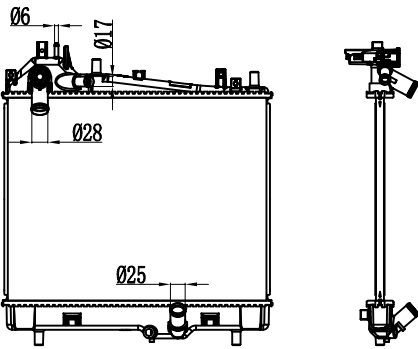
18815F-1F



CARTYPE: WAGON.R 16MT(5MM)
CORE SIZE: PA350*401.5*16
OEM: 17200-67LA0

NISSENS:
CARTON: 428.5*33
TANK SIZE: 428.5*33
OIL COOLER:

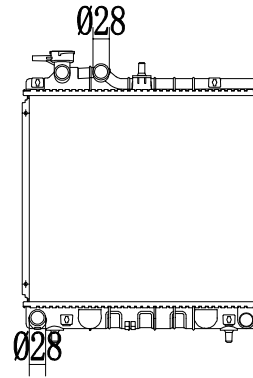
18823AF-2F



CARTYPE: EVERY NEW 16MT (5MM)
CORE SIZE: PA 350*447*16
CORE SIZE:
OEM:

DPI/NISS: 103061
CARTON: 540*110*480
TANK SIZE: 458.5*46/32.5
OIL COOLER:

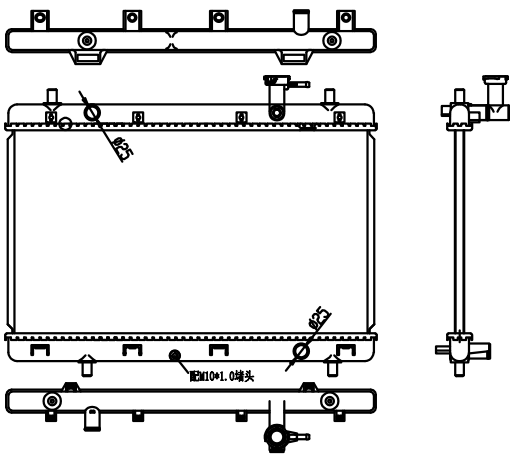
21822F-1F



CARTYPE: SANTRO 26MT
CORE SIZE: PA 355 x 388 x 26
CORE SIZE:
OEM: 25310-02000/02100

NISSENS:
CARTON: 510*110*430
TANK SIZE: 407*44
OIL COOLER:

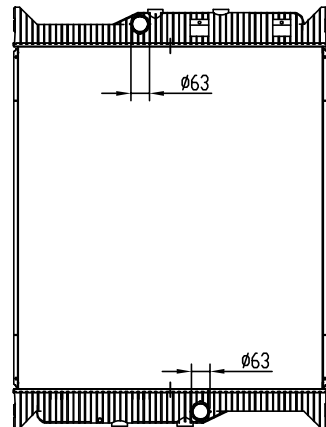
80004F-BSMT



CARTYPE: CHANGAN KARVAAN MT
CORE SIZE: PA 350*608*16/22
OEM:

CARTON: 655*145*550
TANK SIZE: 637*39.5
OIL COOLER:

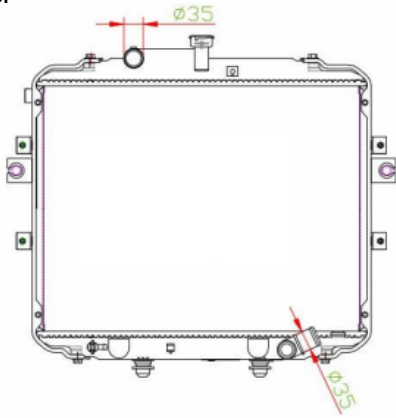
83040-BSMT



CARTYPE: GENERATOR
CORE SIZE: PA 1180*1048*52
CORE SIZE:
OEM:

NISSENS:
CARTON: 1495*220*1100
TANK SIZE: 1079*71.5
OIL COOLER:

21833F



CARTYPE:H101

CORE SIZE: PA 445*568*26

CORE SIZE:

OEM: 25310-4F110

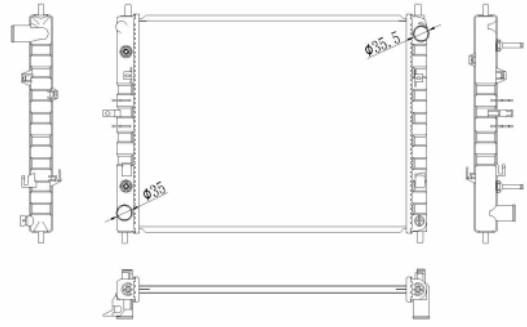
NISSENS:66996

CARTON:710*175*635

TANK SIZE:588.5*62.2

OIL COOLER:

80007F



CARTYPE: AL SW N

CORE SIZE:PA580*448*16

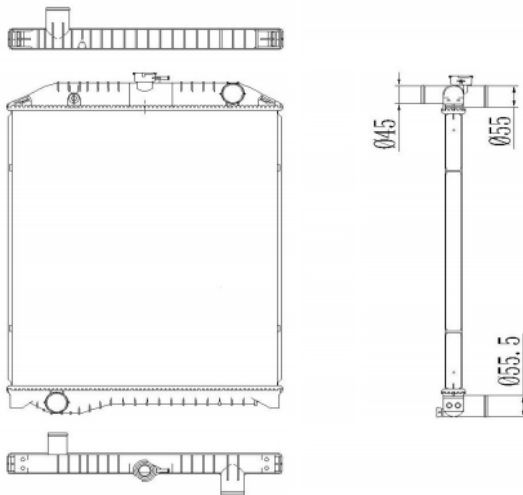
OEM:1301000-AR01

CARTON:725*125*545

TANK SIZE:473*51.2/292* ϕ 20

OIL COOLER:292

12848F



CARTYPE:H NO EURO

CORE SIZE: PA720*638*40

OEM:

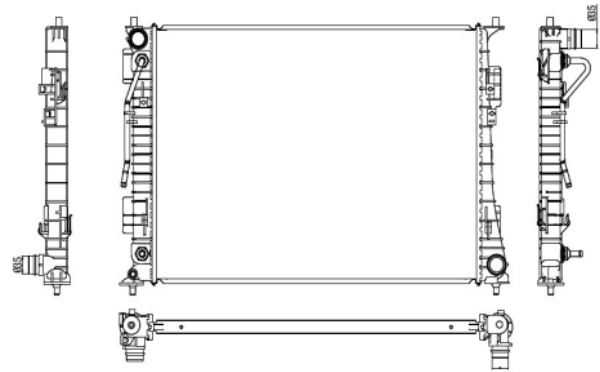
DPI/NISS:

CARTON: 920*175*690

TANK SIZE: 659*54

OIL COOLER:

21825F



CARTYPE: SONATA

CORE SIZE:PA670*478*26

OEM:25310-L1700

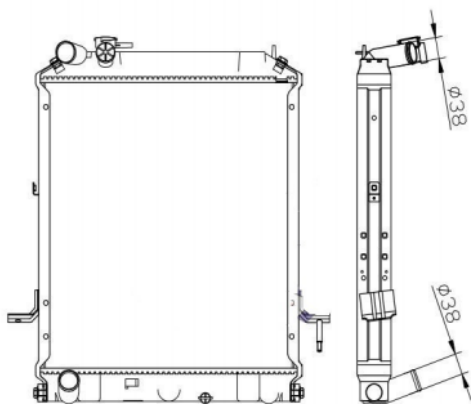
DPI/NISS:

CARTON:830*130*555

TANK SIZE:491.5*46.5

OIL COOLER:370

13306F



CARTYPE: NPR

CORE SIZE: PA 510*468*36

CORE SIZE:

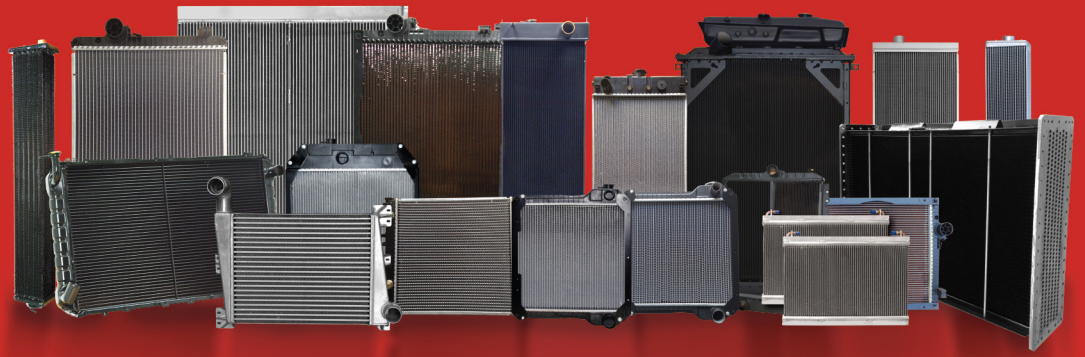
OEM:

NISSENS:

CARTON:

TANK SIZE: 493*52

OIL COOLER:



CONTACT US

Global Presence, Exceptional Service

Our international sales team is ready to assist with customized, engineered solutions, leveraging our extensive experience and advanced R&D capabilities.



US SALES OFFICE

Dolphin Heat Exchanger USA, INC

- 1176, 113th Street Grand Prairie, Texas 75050
 - 6409, Suite D, North 50th Street, Tampa, FL 33605
- Phone: 1-(844)-5-DOLPHIN
1-(844)-536-6744
- Email: info@dolphinradiator.com

CORPORATE OFFICE

Middle East, Africa & Asia Pacific Sales Office

- Dolphin Group**
New Industrial Area
P.O.Box 20678, Ajman, UAE
Phone: +971-6-7032999
Fax: +971-6-7032929
Email: info@dolrad.ae

INDIA SALES OFFICE

- Dolphin Heat Transfer Pvt. Ltd.**
Yepre Patil Warehousing, Sr. No. 35/2, Dagde Vasti Road Pisoli Pune, India, 411048
Phone: +91 7774099577
Email: info@dhtind.com

 www.dolphincatalogue.com

 www.dolphinradiator.com

Visit our global and USA online stores

www.dolphinml.com